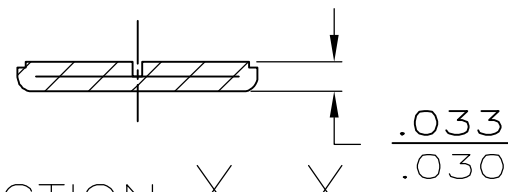
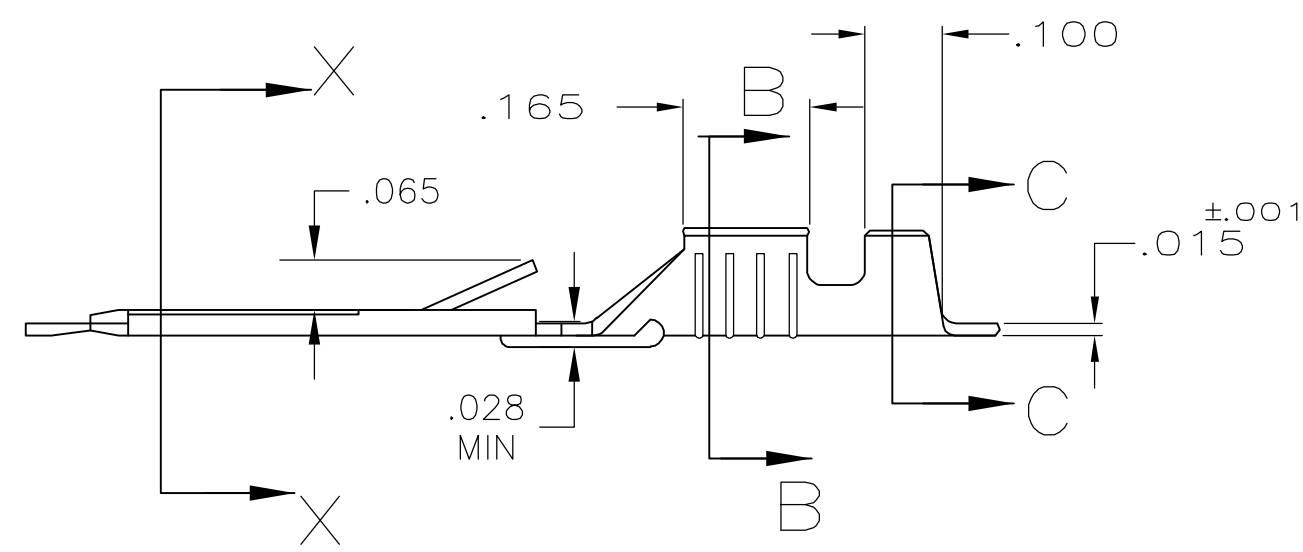
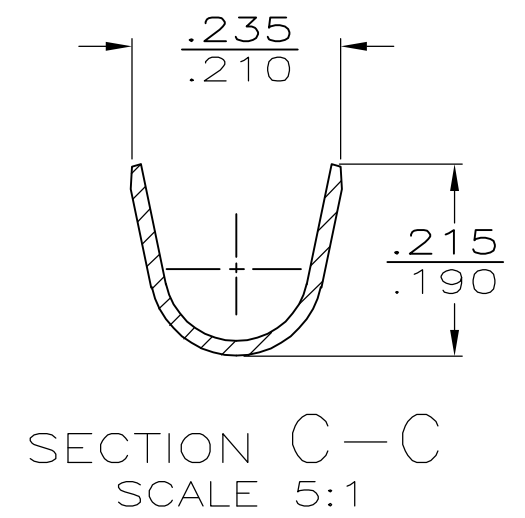
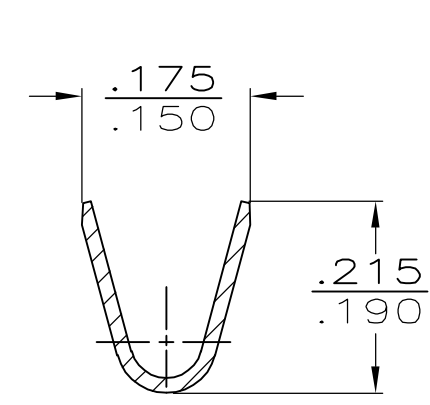
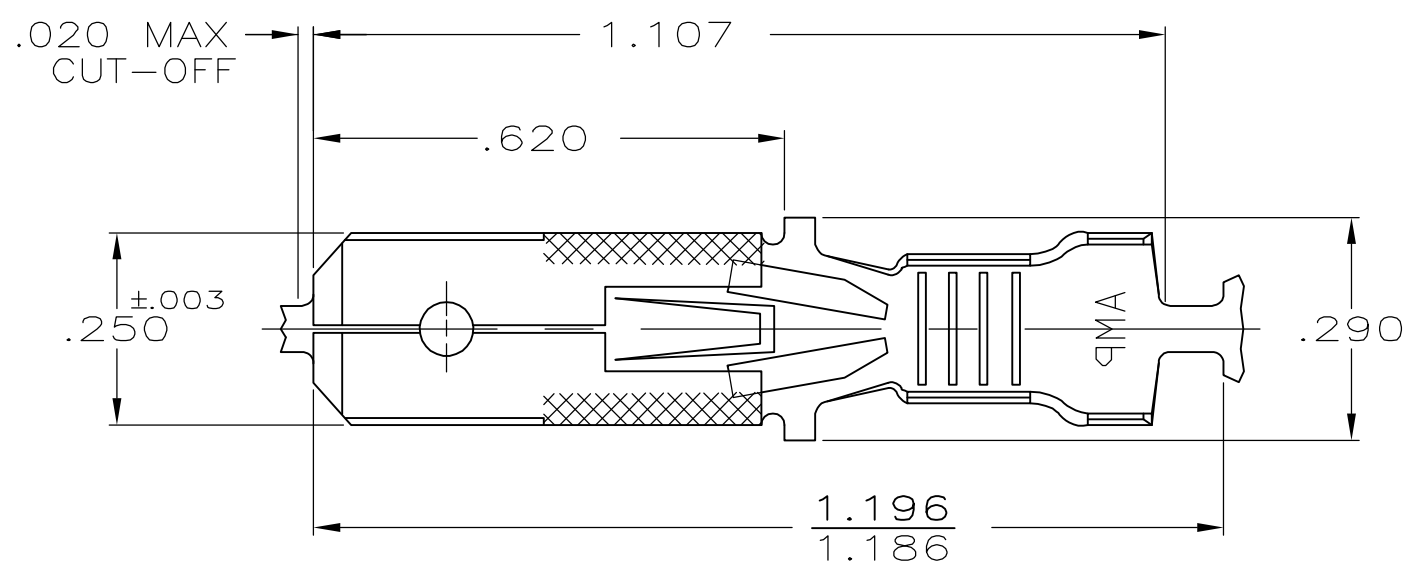


THIS DRAWING IS UNPUBLISHED. RELEASED FOR PUBLICATION  
 © COPYRIGHT BY TYCO ELECTRONICS CORPORATION. ALL RIGHTS RESERVED.

LOC	DIST	REVISIONS			
P	LTR	DESCRIPTION	DATE	DWN	APVD
AF	50	U	REV PER ECR 05-017609	27MAR06	JR KR



- 1 CONTINUOUS STRIP ON REELS
- 2 WIRE SIZE IS #14-#10 AWG
- 3 INSULATION RANGE IS .120-.170 DIA
- 4 FOREIGN PRODUCTION ONLY
- 5 .000080 MIN TIN OVER .000100 MIN COPPER UNDERPLATE OR OPTIONAL .000050 MIN NICKEL UNDERPLATE.
- 6 PRELIMINARY - NOT FOR PRODUCTION



	5	6	60701-4
OBSOLETE	PRE-TIN	4	60701-3
	-	6	60701-2
	TIN .000080 MIN		60701-1
	FINISH		PART NO

THIS DRAWING IS A CONTROLLED DOCUMENT.		DWN	JR RUTH	1/31/91	<b>tyco</b> Electronics			Tyco Electronics Corporation	
DIMENSIONS: INCHES		CHK	MS FEHER	1/31/91				Harrisburg, Pa 17105-3608	
TOLERANCES UNLESS OTHERWISE SPECIFIED:		APVD	J GILLESPIE	1/31/91	NAME			TAB, FASTIN-FASTON, .250 SERIES	
0 PLC ± -		PRODUCT SPEC			-			-	
1 PLC ± -		APPLICATION SPEC			-			-	
2 PLC ± -		SIZE	A3	CAGE CODE	00779	DRAWING NO	C-60701	RESTRICTED TO	
3 PLC ± .015		WEIGHT	-			-		-	
4 PLC ± -		CUSTOMER DRAWING							
ANGLES ± -		SCALE		4:1		SHEET		1 OF 1	
MATERIAL #2H BRASS		FINISH		SEE TABLE		REV		U	